



"Teddy" Shoalbuster 2308

Lindtsedijk 10E
3336 LE Zwijndrecht
The Netherlands

T: +31 (0)78-6192507
E: chartering@hermansr.com



GENERAL

Delivery date	: April 2019
Type	: Damen Shoalbuster 2308
Basic functions	: Towing, survey, anchor handling, dredge-, plough- and coastal construction support
Classification	: Bureau Veritas I 3/3 {E} * Coastal Area 200 miles from shore * MACH
Nat. Authorities	: Dutch Shipping Inspection 200 miles from coast/continuous service
Call sign	: PBFE
I.M.O. No.	: 9862061
MMSI No.	: 244630458

DIMENSIONS

Length	: 23.35	m
Width	: 8.64	m
Min draft	: 2.10	m
Max draft	: 2.40	m
GT/NT	: 123 GT/ 37 NT	

TANK CAPACITIES

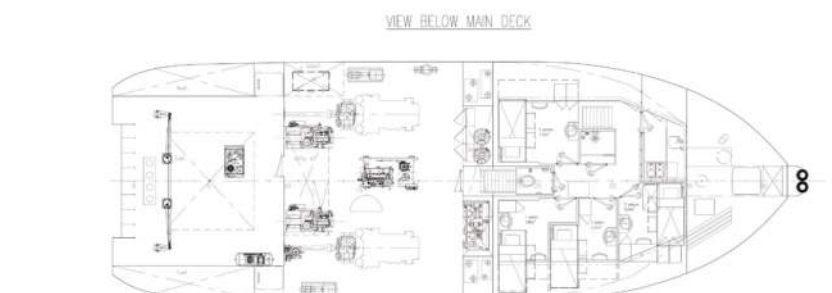
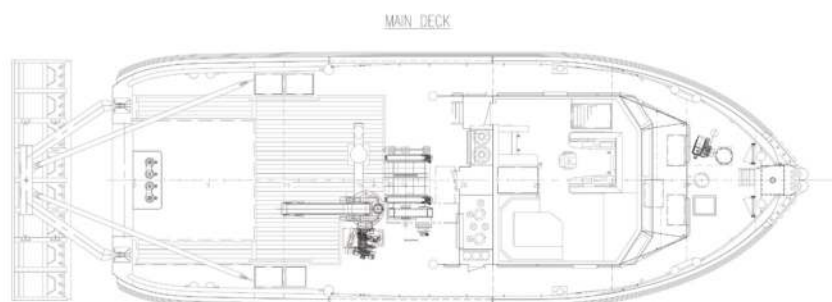
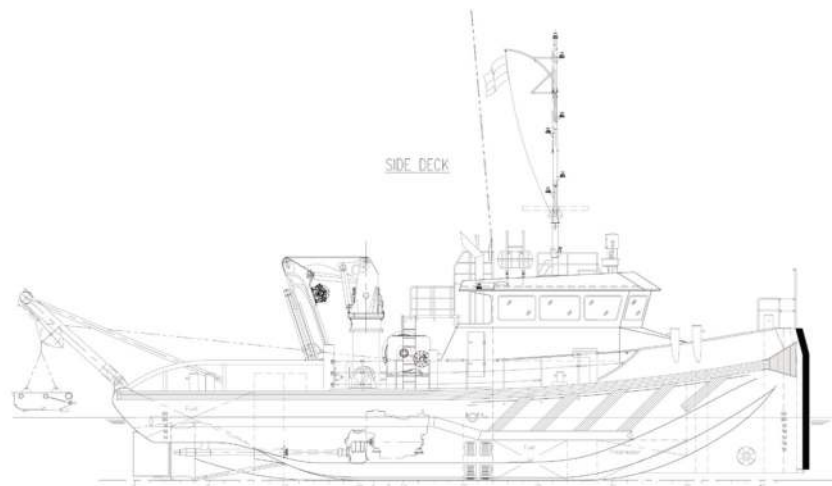
Fuel oil	: 45.50	m ³
Fresh water	: 13.90	m ³
Lub. oil	: 1.9	m ³
Hydraulic oil	: 0.6	m ³
Gearbox oil	: 0,6	m ³
Sewage	: 2,88	m ³

PERFORMANCES

Bollard pull	: 25	ton (m)
Speed	: 10.5	knots

PROPULSION SYSTEM

Main engines	: 2 x Caterpillar C32-TTA
Total power	: 1260 bkW (1700 bhp) @ 1800 rpm
Gearboxes	: 2 x Reintjes WAF 464L/5.042:1
Propulsion	: 2 x Promarin fixed pitch propellers
Diameter	: 2 x 1600 mm in v.d. Giessen Optima nozzles
Bowthruster	: 1 x Kalkman 120 HP.
Rudders	: 2x fishtail rudders (65 graden)





“Teddy” Shoalbuster 2308

Lindtsedijk 10E
3336 LE Zwijndrecht
The Netherlands

T: +31 (0)78-6192507
E: chartering@hermansr.com

AUXILIARY EQUIPMENT

Generator sets : 2 x Hatz 4L41 , 33kVA,
50Hz , 230/ 400 V
Hydraulic power : 1 x Cat C9.3, 269 KW
Compressors : 1 x 1.100 ltr/min + 1 x 150
ltr/min.
Transfer pumps : For water and fuel with meters:
SIHI 25 m3/hr at 1.5 bar
Moonpool : 600x400 mm (pushbow)

DECK LAYOUT

Anchors : 1x270kg Pool , 1x180 (spare)
Chain : 137.5 m shortlink 19 mm
Tuggerwinch : DWT 15 ton
Anchorhandling winch: DWT, 30 ton @ 6 m/min
Deck crane : HS Marine AKC 115/16,3L
4SL, 4 ton @ 16,3m
Towing winch : DWT 30 ton @ 6m/min
Towing pins : 4x hyrdraulic pins
Free deck space : 38 m²
Maximum deckload : 10 ton/ m²
A-Frame : 25 ton SWL
Plough : Available
Container capacity : 2x 20”

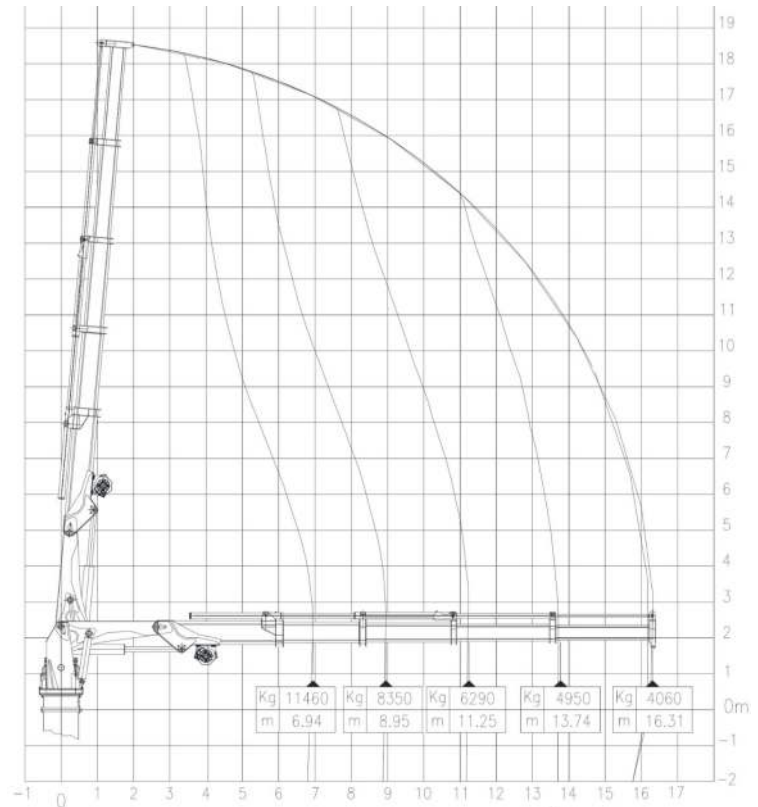
ACCOMODATION

Heated and airconditioned living spaces for six persons, consisting of a captain’s cabin , a C.E. cabin, two double crew cabin, a galley and sanitary facilities.

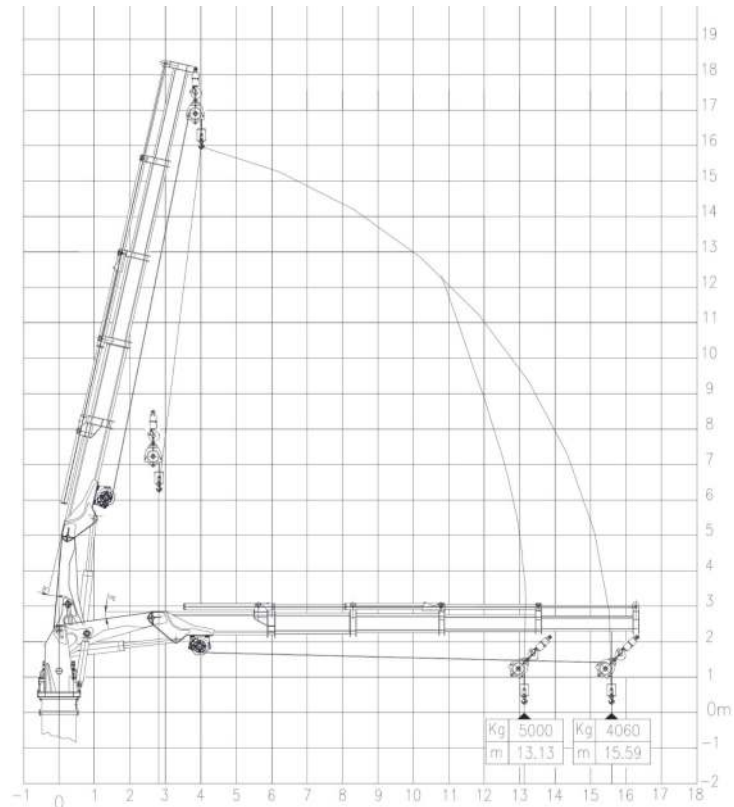
NAUTICAL AND COMMUNICATION EQUIPMENT

According GMDSS : Area A3
Searchlights : 1x Den Haan 300RCB200
Compass : 1x Kotter type, electric repeater
Radar system : 1x Furuno FAR-2117BB
D-GPS/ AIS : 1x Sailor/Cobham 6004
ECDIS : 1x Furuno FMD-3100
Gyro compass : 1x Anschuetz STD 22
Autopilot : 1x Simrad AP-80
Echosounder : 1x Furuno FE-800
VHF radio telephone : 3 x sailor RT6222
Navtex : 1x Sailor/Cobham 6004
MF/HF : 1x Sailor 6301
V-SAT : 1x v85 NX
CCTV : 1x Orloco system
Inmarsat-C : 2x Sailor H1252A

Crane AKC 115 LHE4 with hook



Crane AKC 115 LHE4 with winch



For more information about chartering please contact us
Telephone: +31 (0)78 619 25 07 - Email: chartering@hermansr.com